



Cleaning Notes:

--	--	--

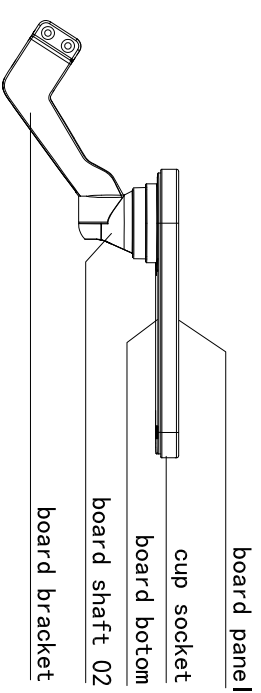
Cautions

--	--	--	--

Safety Precautions

Introduction for installation

- Make sure of the location for the furniture before installation to avoid the big move after the furniture installation completed.
- Don't put furniture in moist or muggy environment
- Please check the product packaging bag and fittings according to the packing list , and figure out the components structure according to the installation introduction.
- Please make sure for the direction of each parts when unpacking before installation.
- Please be meticulous and patient for fine adjustment during the furniture installation.
- Please make a gentle shake to test the screw tight or not and the furniture stability after installation.
- Please open the door and drawer for a period to Ventilate before using to eliminate odor.



Family name: Edward
 Item: EWB1
 Type: W-iting board
 Size: 382W*271D*210H

Materials

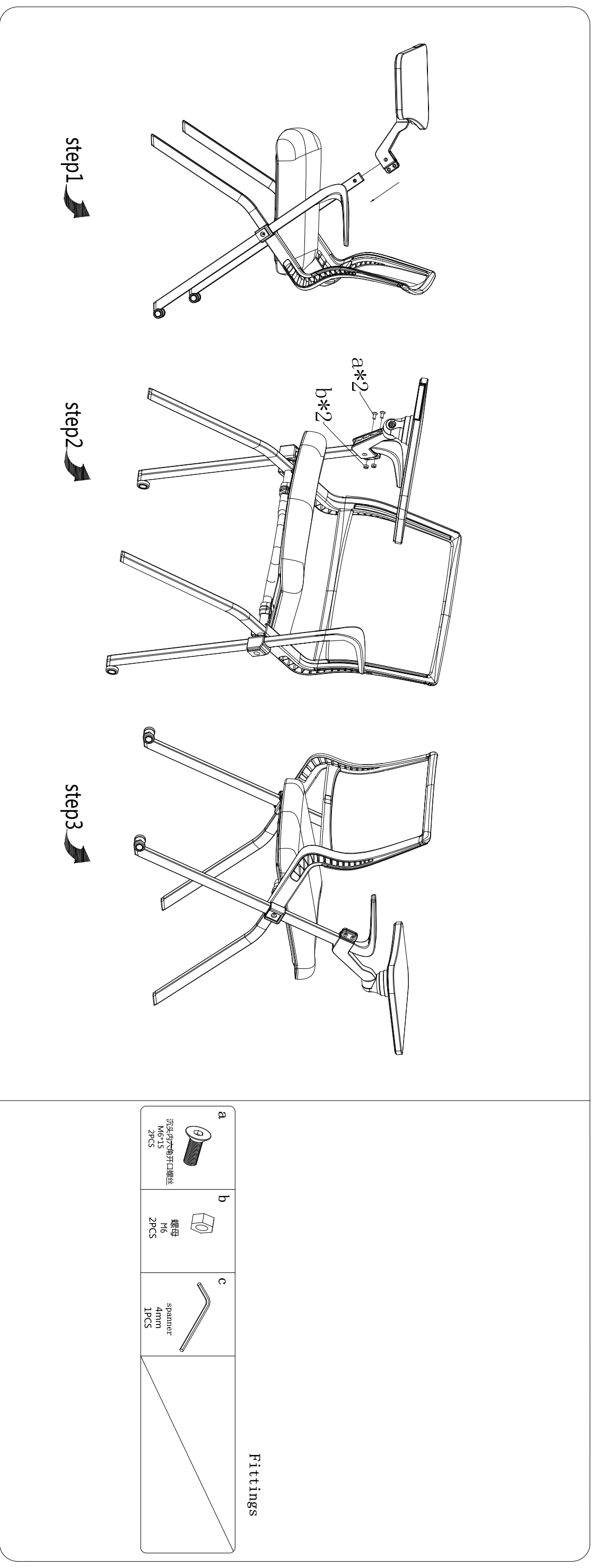
UNITED CANADA INC.

+1(888) 751-5999

info@unitedcanadainc.com

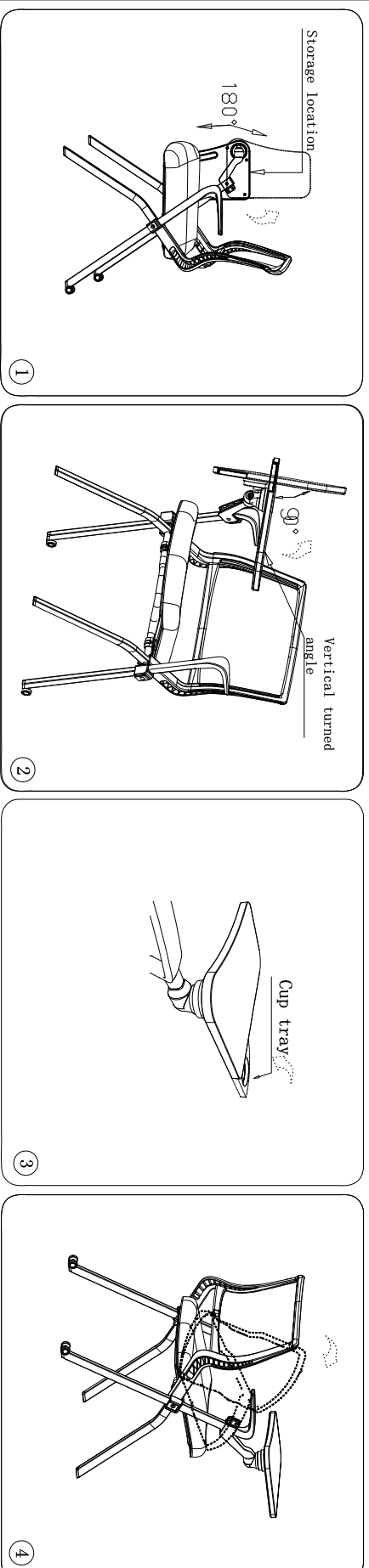
www.unitedcanadainc.com





Function

Ps:weight bearing of the tablet≤10KG



1. Pls horizontal rotor 180° for the tablet beside when to use
2. Then vertical turned 90° to actual use
3. Pls pull out the tray according to the indicating switch. When to save the tablet, pls push the reset button, and hide the tray
4. Vertical flip-up seat cushion, incorporating convenient, space-saving.