

Step1

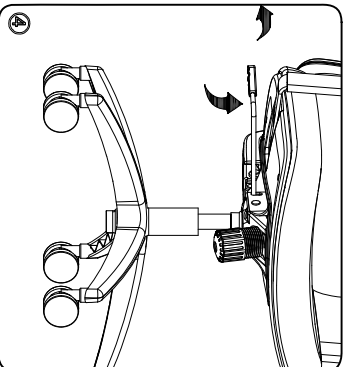
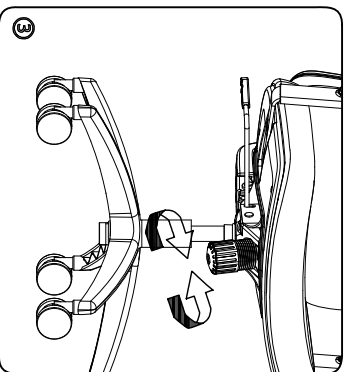
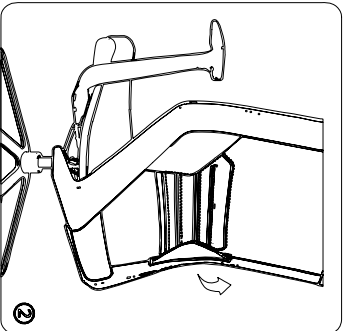
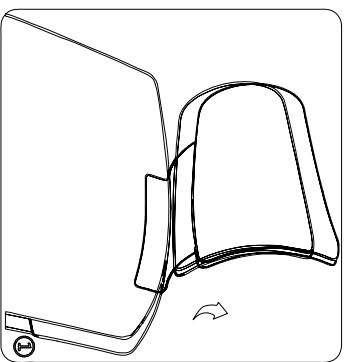
Step2

Step3

Step4

Fitting List

a		b		c		d		e	
	screw M8 x 20 3PCS		screw 1/4 x 3/2 8PCS		screw 1/4 x 3/4 2PCS		washer 8/9 9PCS		washer 6x5.7x1 4PCS
f		g		h		i			
	Spanner 4mm/5mm 2PCS		screw M5 x 20 2PCS		decorative cover 1PCS		Iron sheet 1PCS		



1. Headrest adjustment:

The headrest could be adjusted positions, give great support to head and neck;

2. Lumbar adjustment:

The pads is designed to be flexible, allowing it to move with the user by 40mm, provide comfortable ergonomic support for abroad range of users;

3. Tilt tension adjustment :

Turn the knob to anticlockwise direct to fight the tilt tension. Turn the knob to clockwise direct to loose the tilt tension.

4. Adjustable seat height and lockings:

Pull or push the control lever to adjust the seat to a comfortable height. Pulled out the handle, the tilting of chair can be adjusted freely, locked when take back.